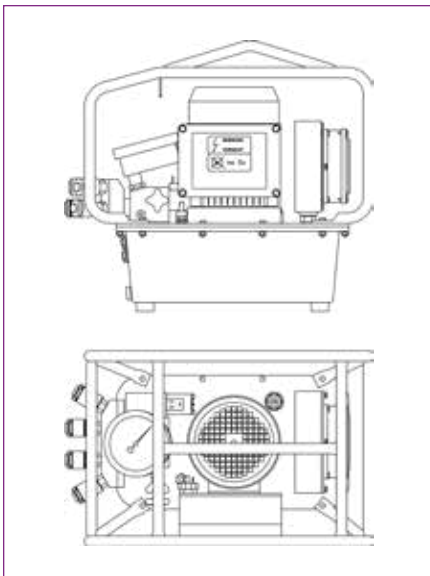




## JETPRO 18.3 SA

The JETPRO 18.3 SA is our high-performing pump, designed to work efficiently with our largest hydraulic systems. Its 3-stage motor provides 30% more oil flow without increased operating temperature through the use of an innovative built-in oil cooling system. A compact design with a two-gallon reservoir alleviates weight restrictions and offers the operator efficient mobility.



### PUMP SPECIFICATIONS AND FEATURES

<b>Power</b>	380v - 460v (6 Amp)
<b>Gauge</b>	0-10 k PSI (+/-1% Accuracy)
<b>Reservoir Capacity</b>	2 gals. / 7.5 l
<b>Stages</b>	3
<b>Weight</b>	64 lbs. / 29 kg
<b>Maximum Oil Flow Rate</b>	1,070 cu. in./min. / 18 l/min.
<b>Oil Cooler</b>	Yes
<b>Protective Caging</b>	Yes
<b>15' Remote Control</b>	Yes
<b>15' Twin Line Steel Braided Hydraulic Hose</b>	Yes

# HYTORC

**Headquarters:**  
333 Route 17 N., Mahwah, NJ 07430  
+1-201-512-9500

**Email:**  
info@hytorc.com

**Phone:**  
1-800-FOR-HYTORC

**Online:**  
hytorc.com