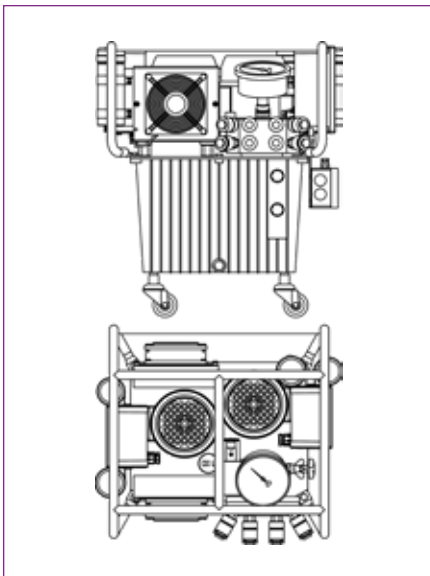


## HY-TWIN 230

This high-powered, twin-motor, 3-stage pump provides twice the speed and oil flow of any other available system. Ideal for large hydraulic or multi-tool systems, the HY-TWIN 230 delivers high power for large torque wrenches (10,000 ft.-lbs. and up) without compromising speed. The five-gallon reservoir provides enough oil to power up to four large tools at once, and the built-in casters allow for increased mobility.



### PUMP SPECIFICATIONS AND FEATURES

<b>Power</b>	230v (30 Amp)
<b>Gauge</b>	0-10 k PSI (+/-1% Accuracy)
<b>Reservoir Capacity (Tank optional)</b>	5 gals. / 19 l
<b>Stages</b>	3
<b>Weight</b>	112 lbs. / 51 kg
<b>Maximum Oil Flow Rate</b>	1,480 cu. in./min. / 24 l/min.
<b>Oil Cooler</b>	Yes
<b>Protective Caging</b>	Yes
<b>15' Remote Control</b>	Yes
<b>15' Twin Line Steel Braided Hydraulic Hose</b>	Yes

# HYTORC

**Headquarters:**  
333 Route 17 N., Mahwah, NJ 07430  
+1-201-512-9500

**Email:**  
info@hytorc.com

**Phone:**  
1-800-FOR-HYTORC

**Online:**  
hytorc.com